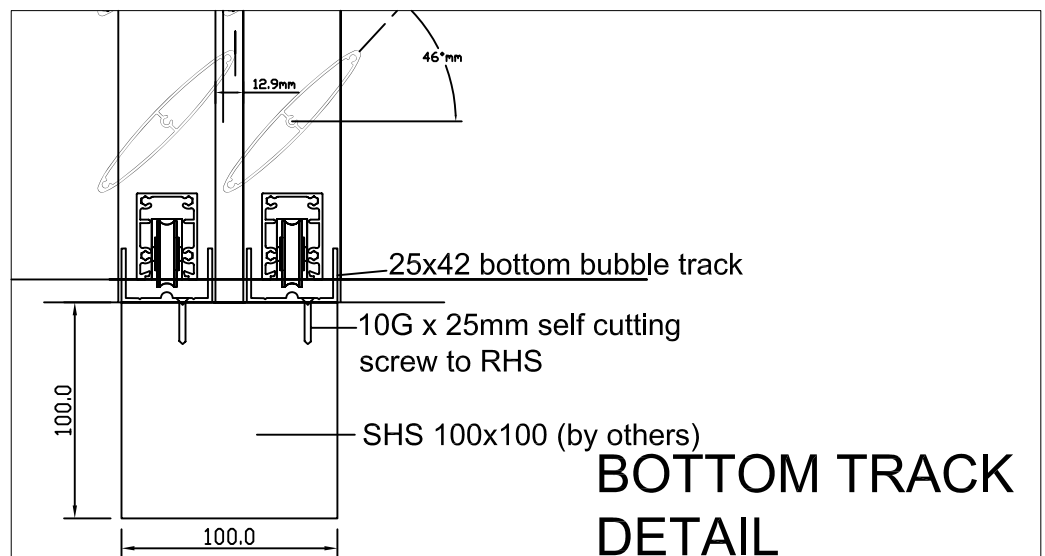
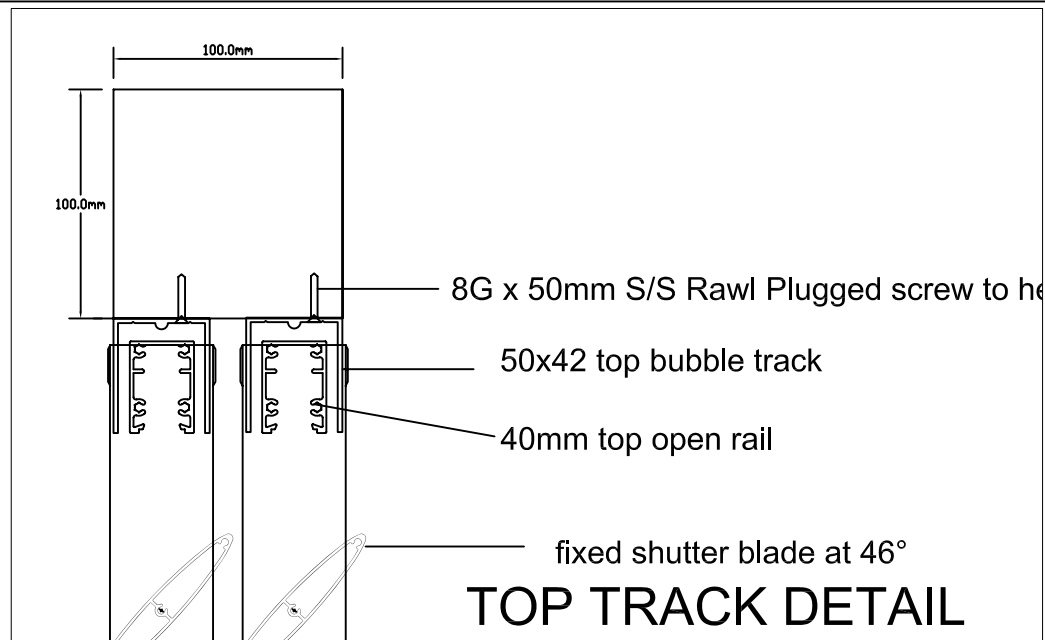



**SECTION**



 589 Gardeners Rd, Mascot NSW 2020 Australia Tel: 1300 650 363 Fax: (02) 9317 2735	Project	
	Drawing Title	Section View & Detail Sliding Shutter Panels
	Drawing Number	SD0006-04
	Issue	B
	Scale	
	Date	18/03/03



