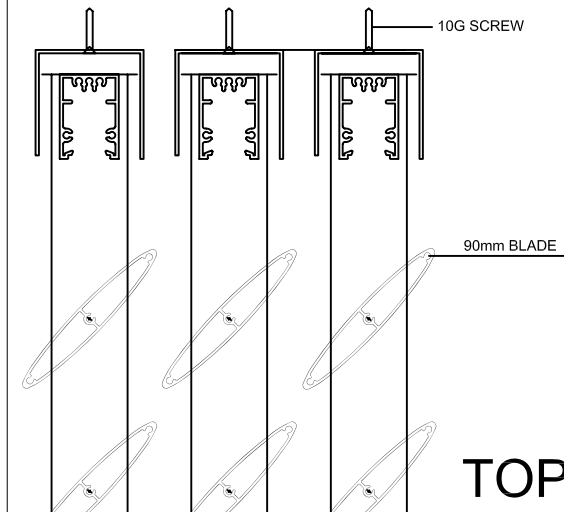
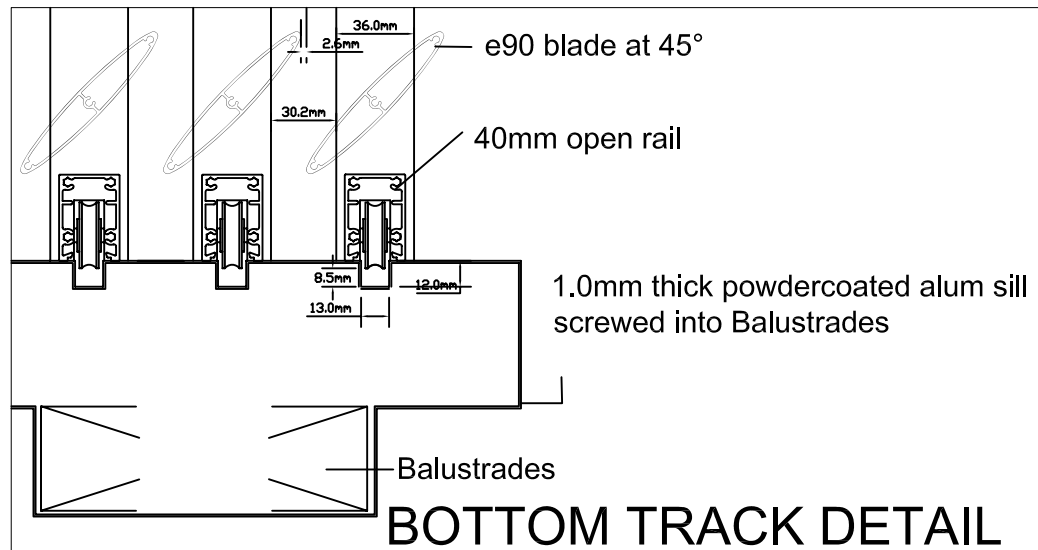


**SECTION**



**TOP TRACK DETAIL**



**BOTTOM TRACK DETAIL**

**SHUTTERS R US**

589 Gardeners Rd, Mascot  
NSW 2020 Australia  
Tel: 1300 650 363  
Fax: (02) 9317 2735

Project	
Drawing Title	Section View & Detail Sliding Shutter Panels
Drawing Number	SD0006-04
Issue	B
Scale	
Date	18/03/03