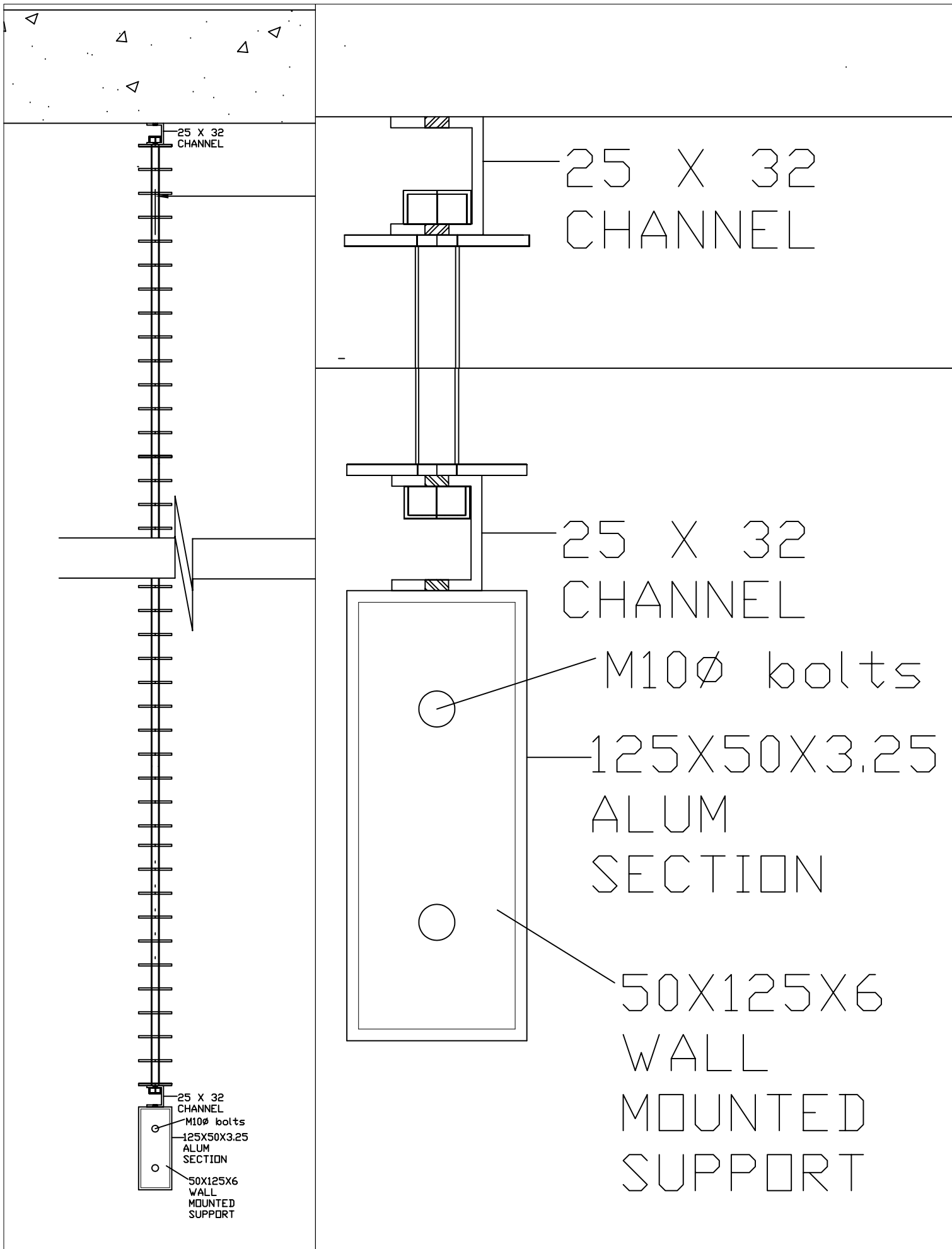
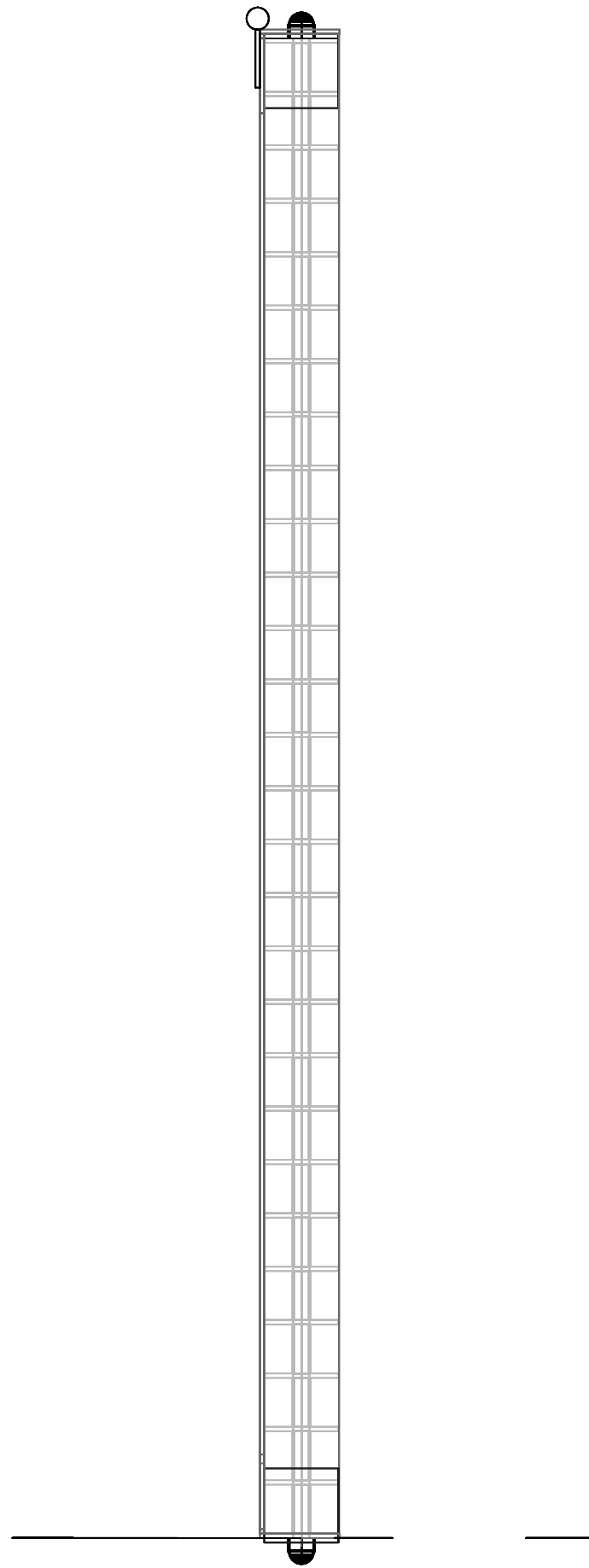


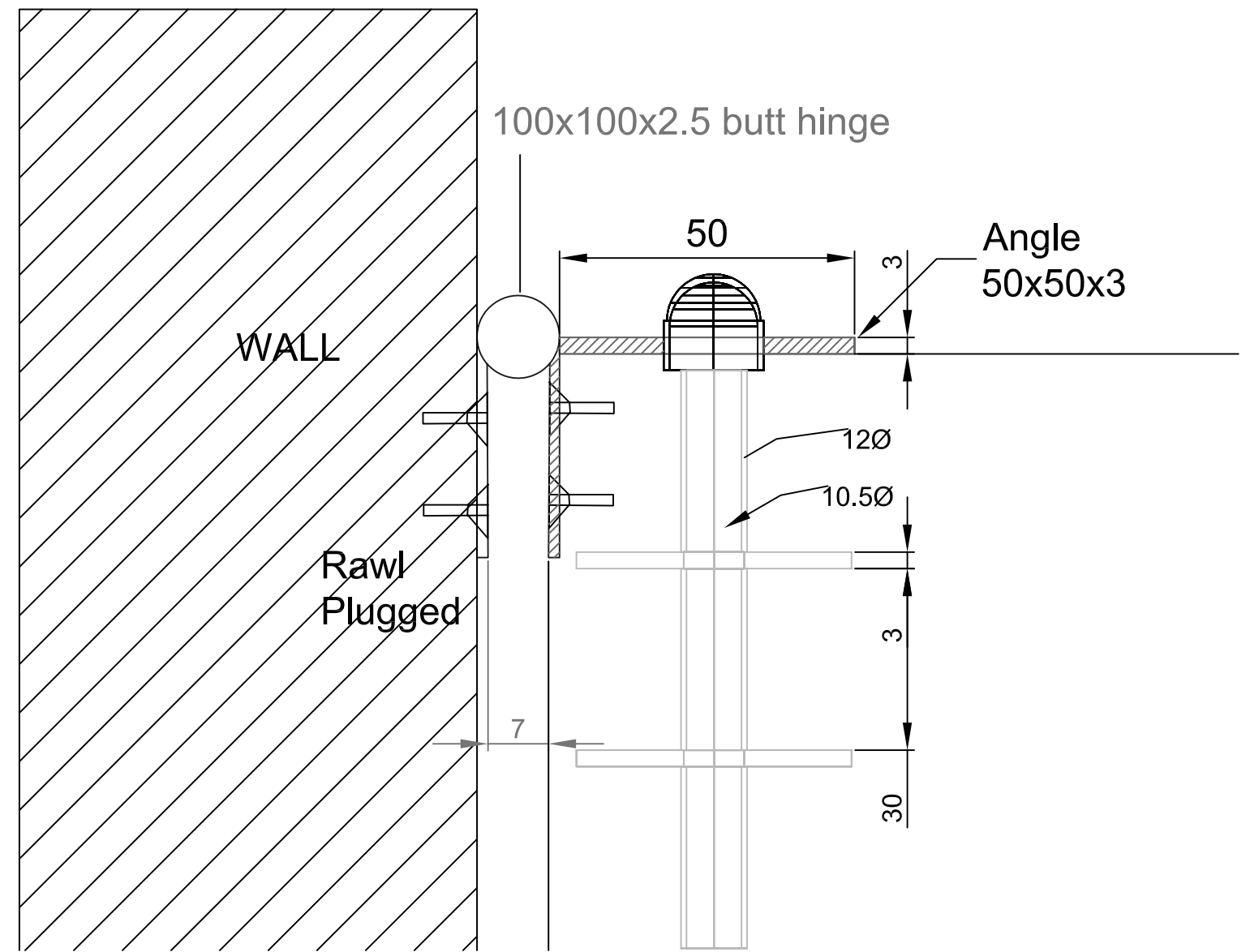
Accent 5003 section with 80x80x6 section



Accent 5003 section with C Channel



Section

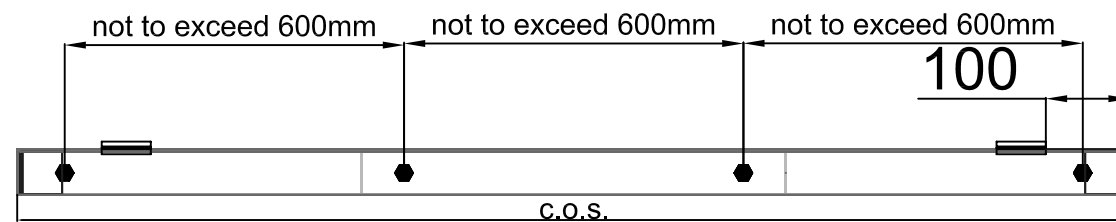
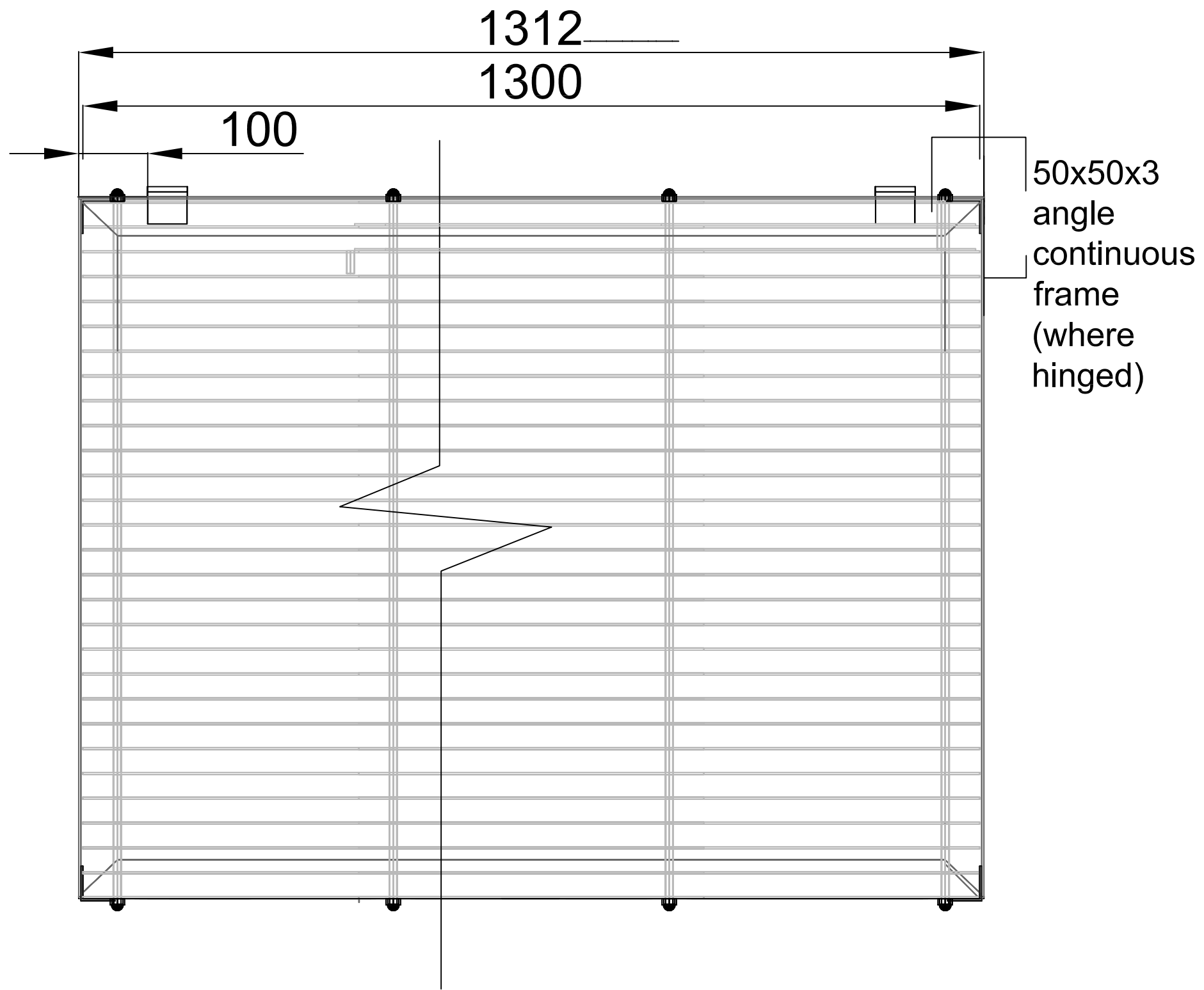


Detail Section

Australand "Line"  
Louvre Type hinge  
LS 1&2 Fixing Detail

EL-SD-001

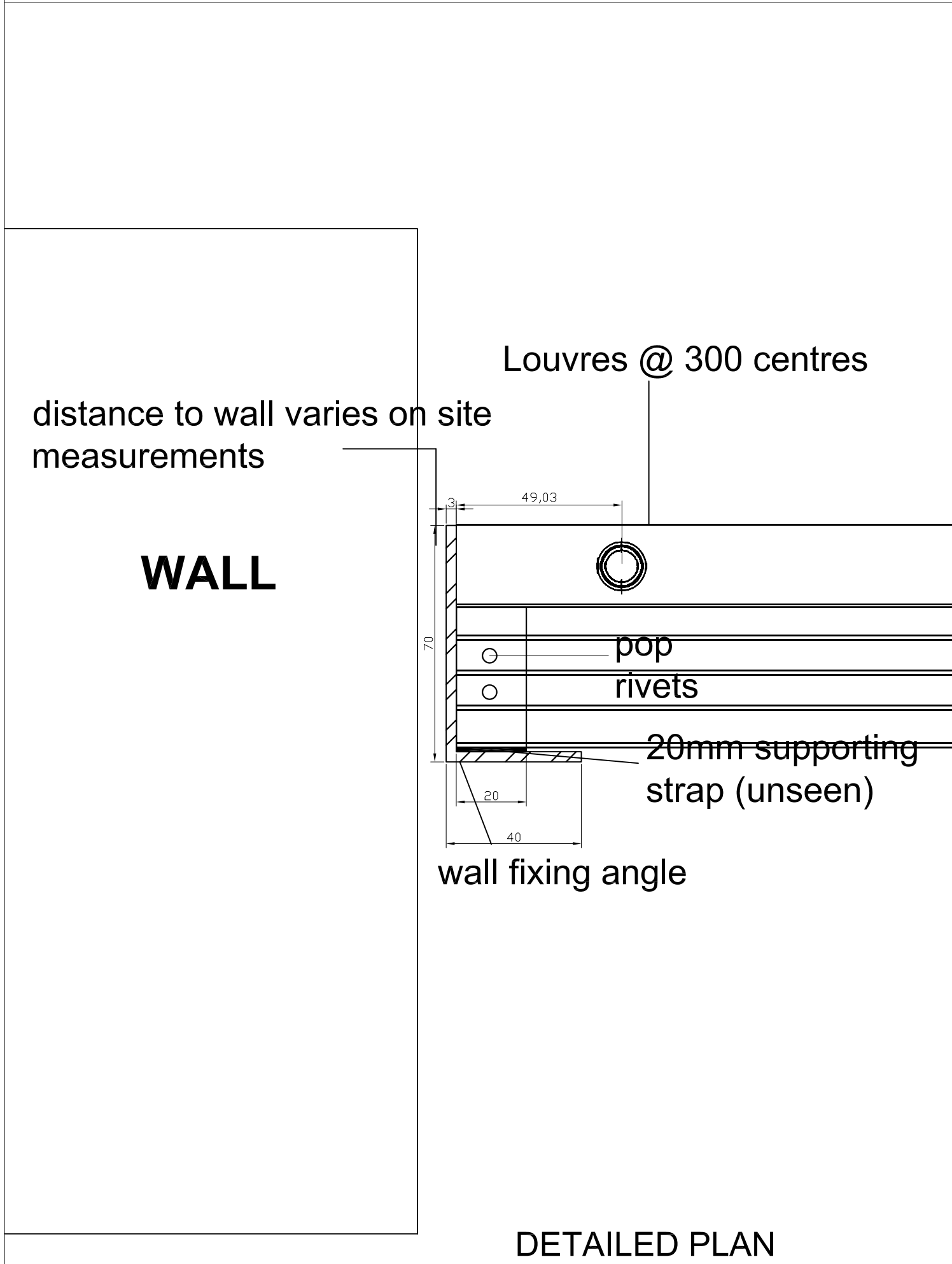
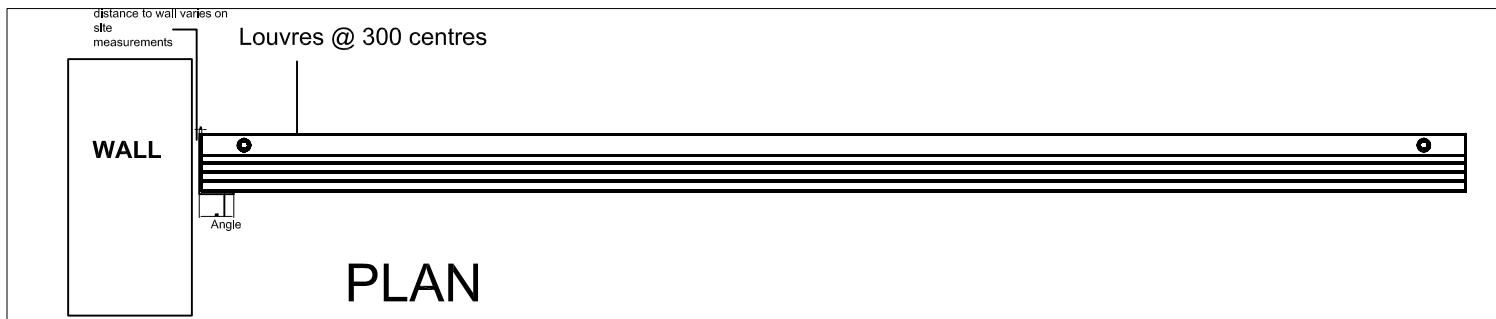
21/11/02



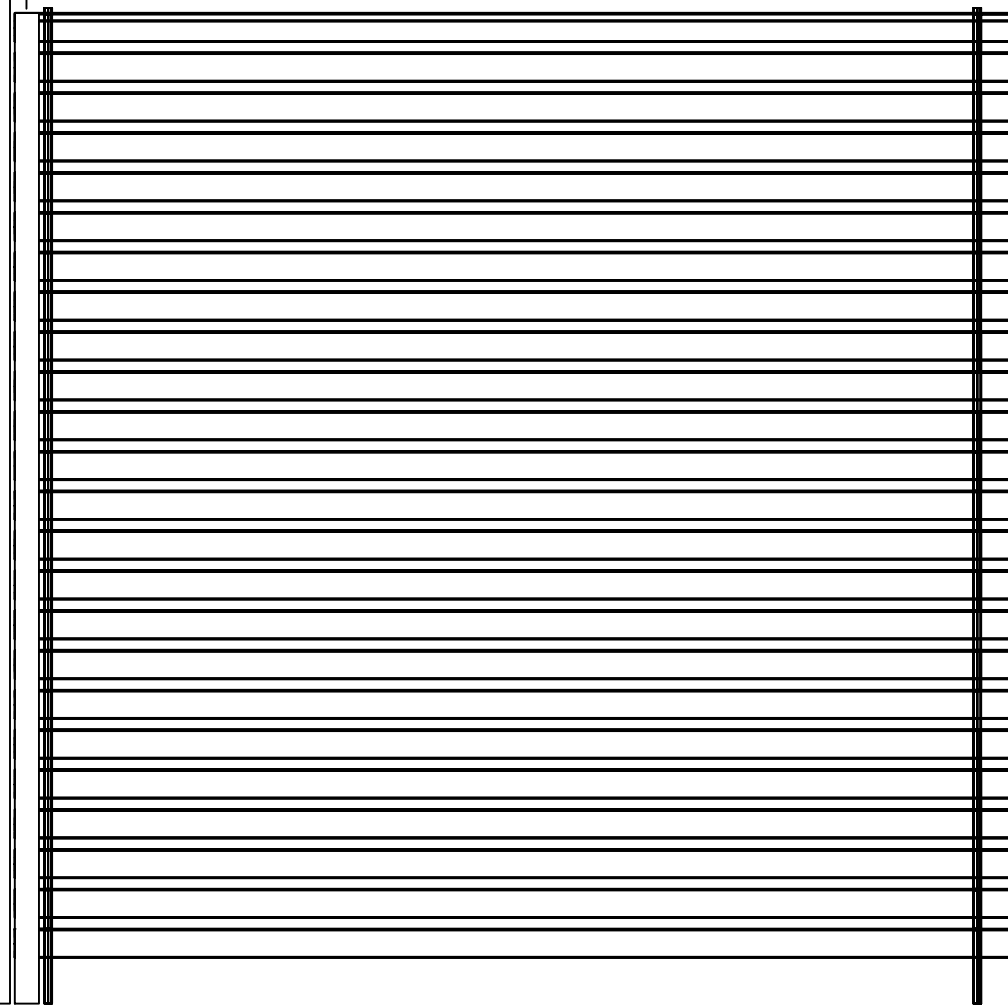
Plan External

Australand "Linc"  
Louvre type hinged  
LS 1&2

SDL 008  
21.11.02



ANGLE



ELEVATION

WALL

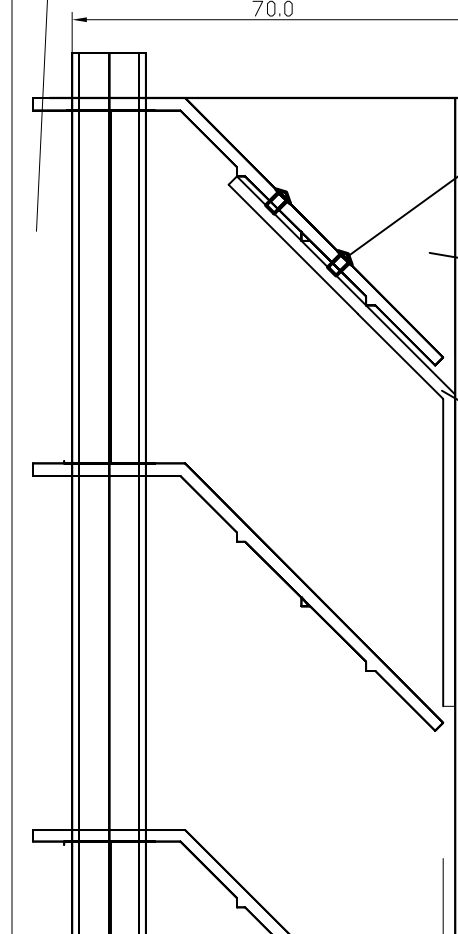
Distance to wall varies  
on site measurements

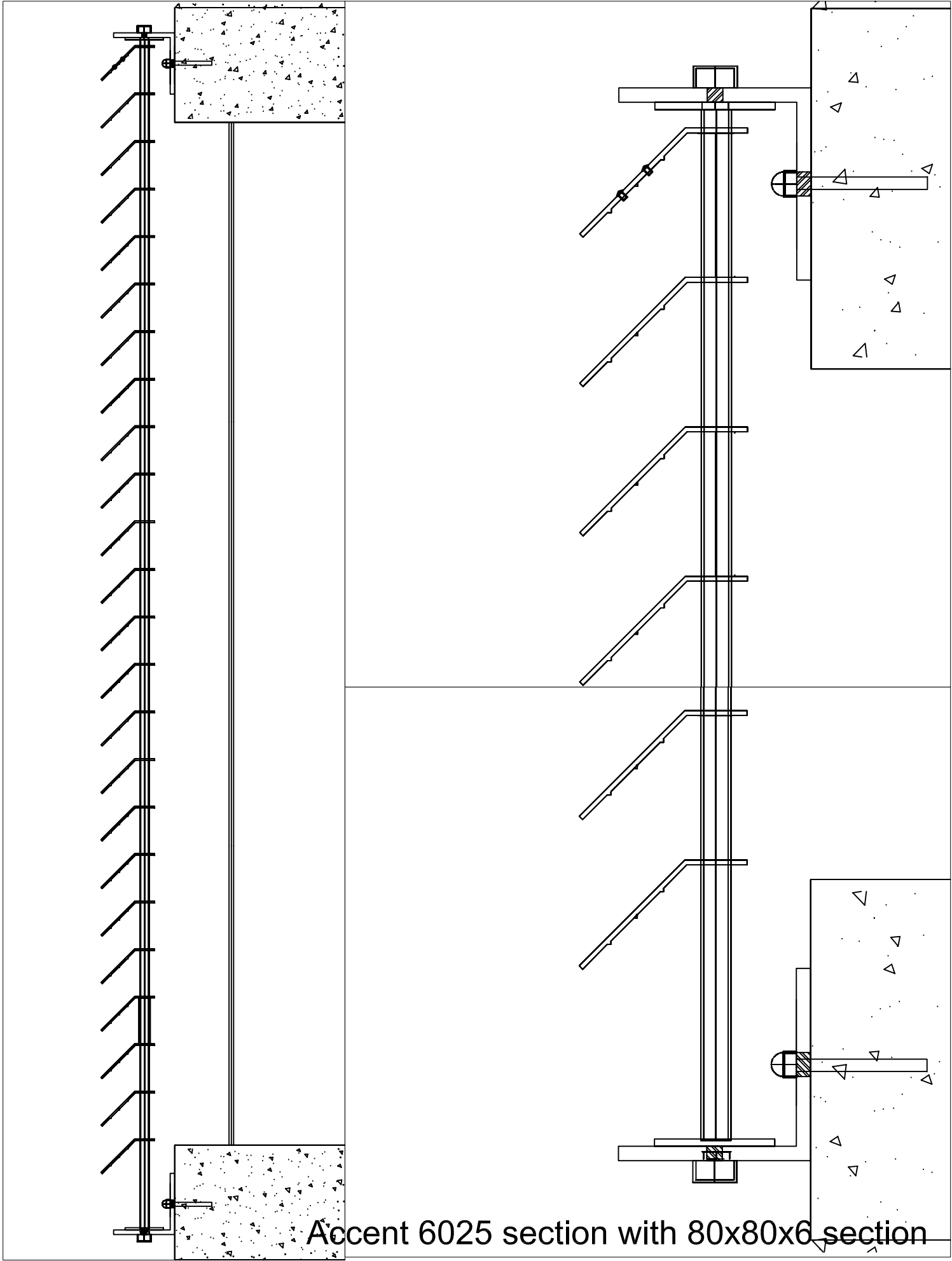
70.0

pop  
rivets

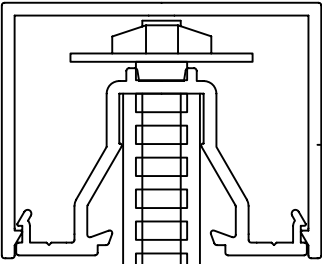
wall fixing angle  
@ 300 centres

supporting  
strap (unseen)



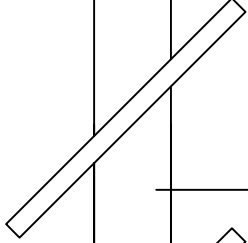


Accent 6025 section with 80x80x6 section

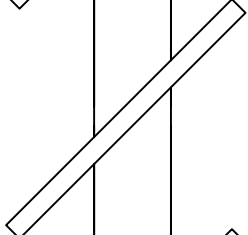


50mm TOP RAIL

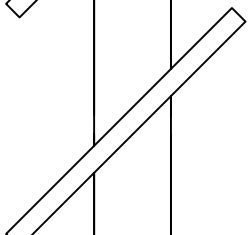
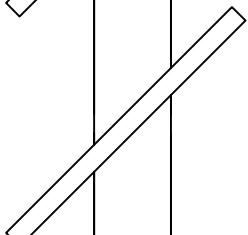
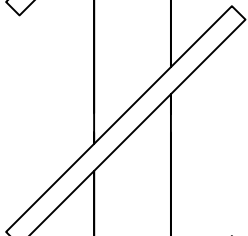
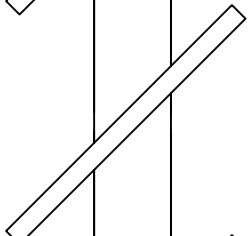
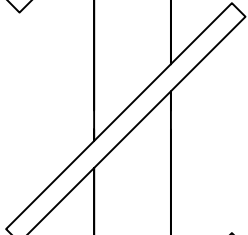
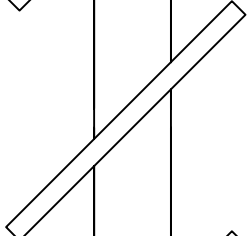
All thread S/S M8Ø



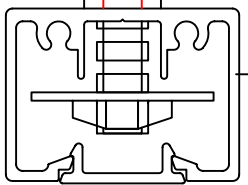
12mmØ TUBE

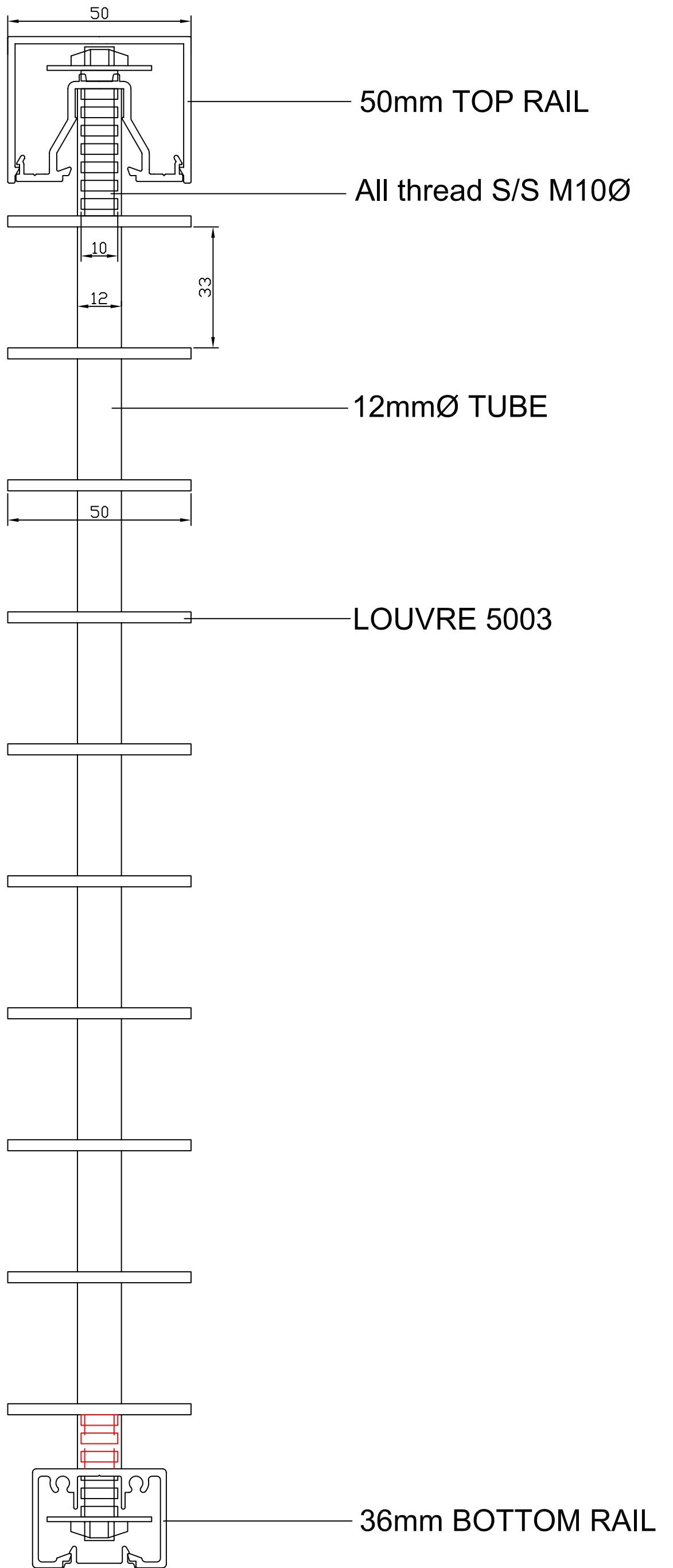


LOUVRE 5003



36mm BOTTOM RAIL









C101