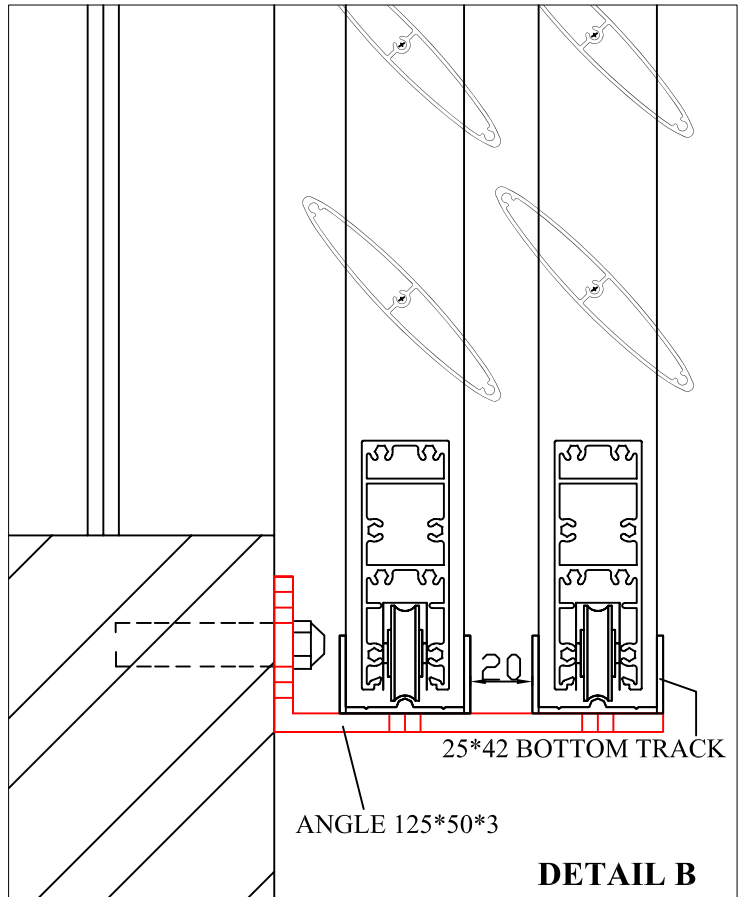
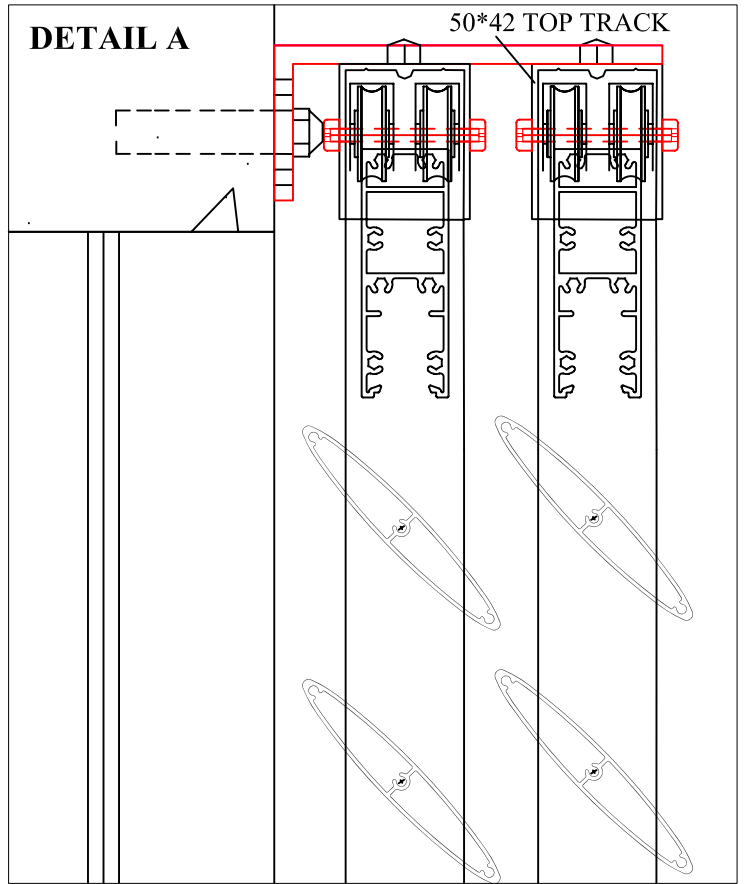
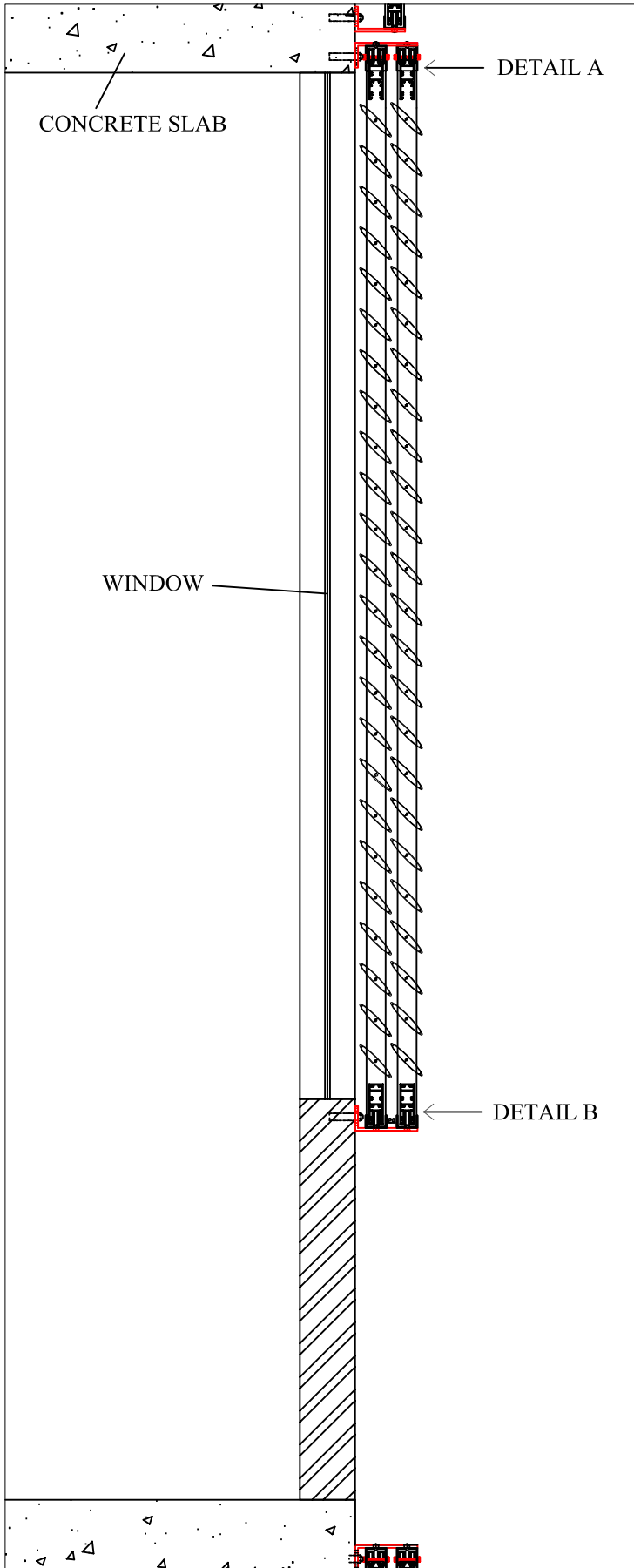


SINGLE SHUTTER FIXED
TO CONCRETE SLAB

SECTION

<p>589 Gardeners Rd, Mascot NSW 2020 Australia Tel: 1300 650 363 Fax: (02) 9317 2735</p>	Project	
	Drawing Title	LOUVRE DETAIL 01A
	Drawing Number	Ref: A 1702
	Date	21/10/03



OPTION A

DOUBLE SHUTTER FIXED
TO CONCRETE SLAB

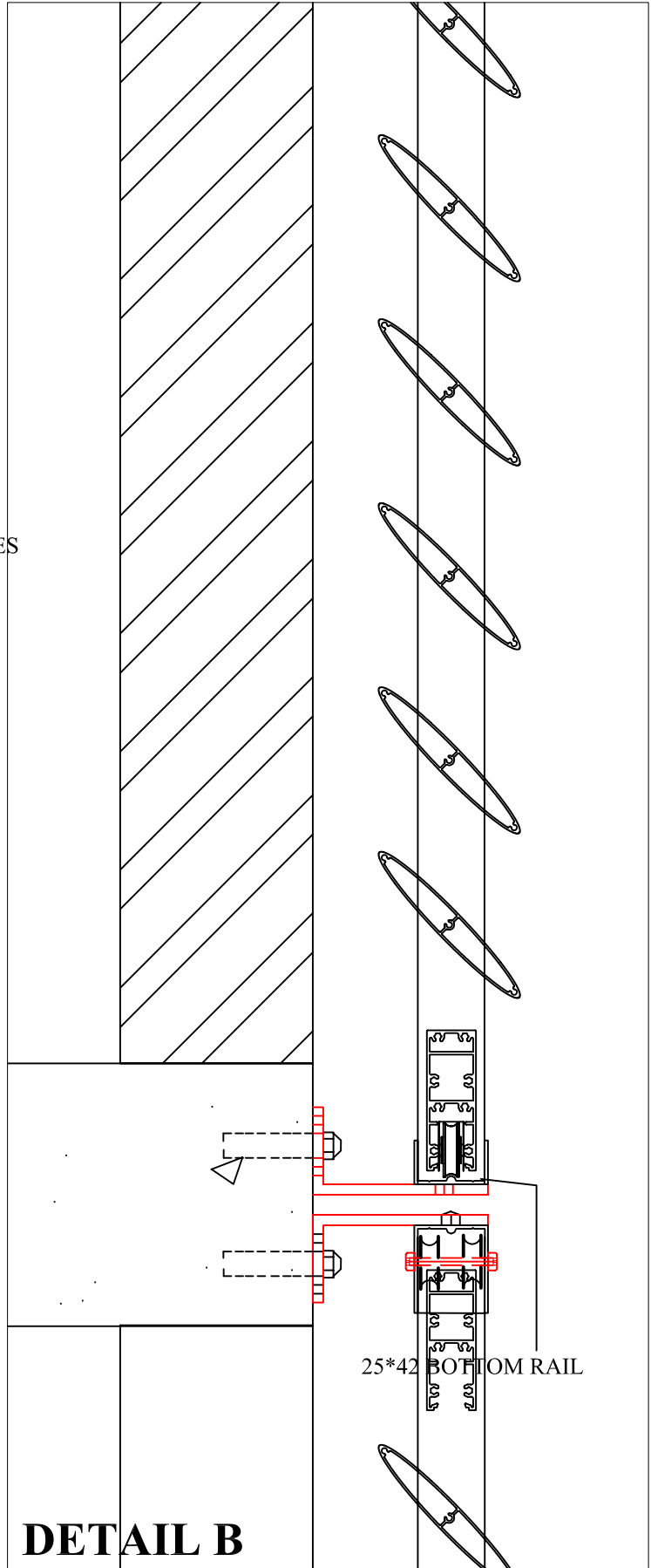
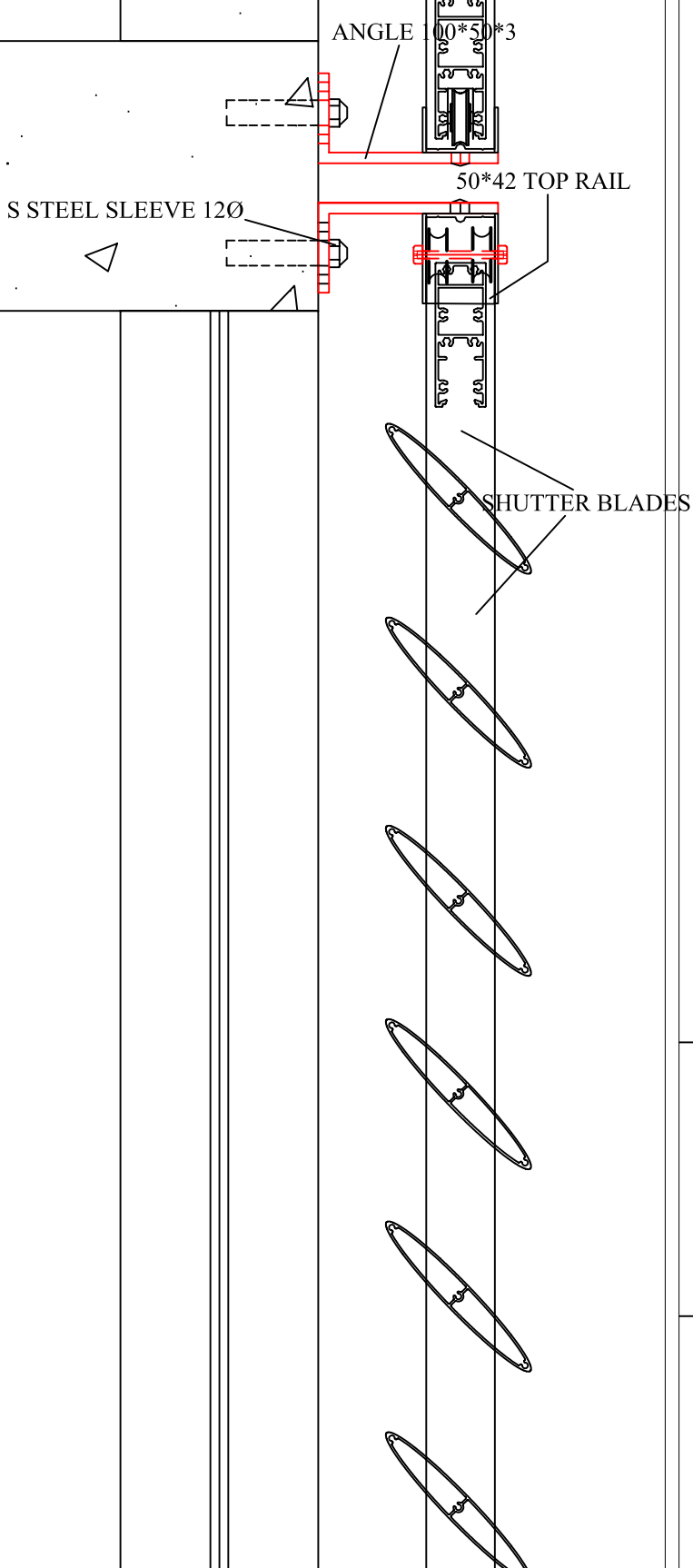
SECTION

SHUTTERS R US

589 Gardeners Rd, Mascot
NSW 2020 Australia
Tel: 1300 650 363
Fax: (02) 9317 2735


Project	MULTIPLEX- MILSONS LANDING
Drawing Title	LOUVRE DETAIL 01
Drawing Number	Ref: A 1702
Date	21/10/03

DETAIL A



DETAIL B

DETAILS

 589 Gardeners Rd, Mascot NSW 2020 Australia Tel: 1300 650 363 Fax: (02) 9317 2735	Project	
	Drawing Title	
	Drawing Number	
	Date	21/10/03